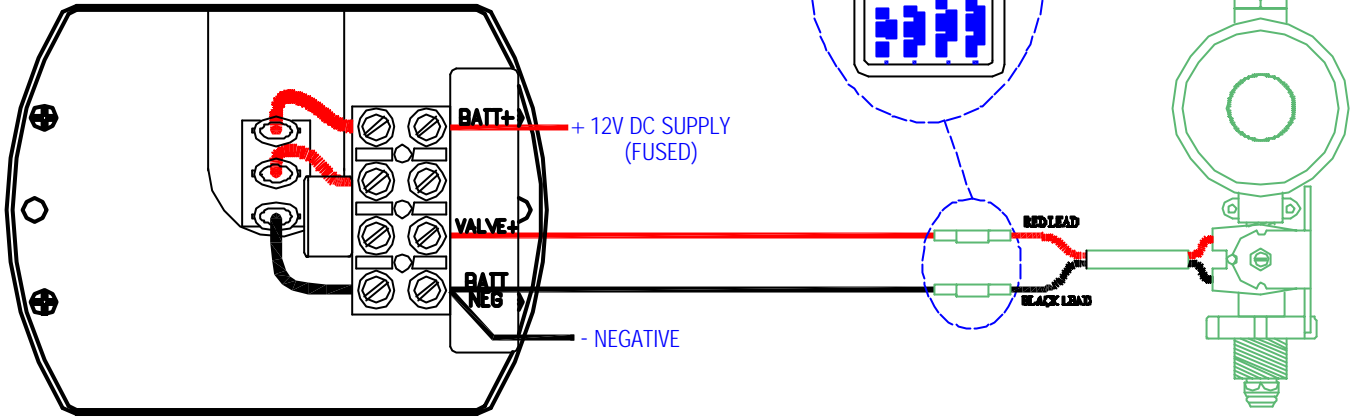


OPTIONAL BEP PULSE AND HOLD UNIT
(P# 500-PH-12V)

BEP GAS VALVE AND REGULATOR
(P# VR-2)

REAR VIEW



DATE	REV	DATE	DESCRIPTION	DRAWN	APPROVED	TITLE
08/06/04						
DRAWN BY: J.J. SAGAR						
LPG No. INST-600-LPG						
A	B	C	D	E	F	

600 LPG CONTROL INSTRUCTIONS

BEP MARINE LTD.

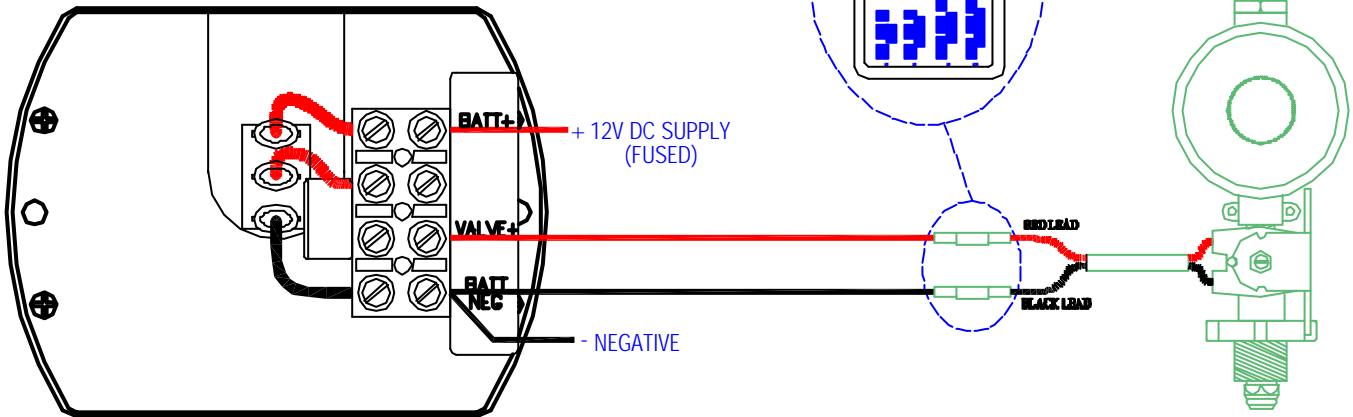
13 Tarnale Grove
Albany
Auckland 1310 N.Z.
PH 09 415 7261 FAX 09 415 9327
www.bepmarine.com



OPTIONAL BEP PULSE AND HOLD UNIT
(P# 500-PH-12V)

BEP GAS VALVE AND REGULATOR
(P# VR-2)

REAR VIEW



DATE	REV	DATE	DESCRIPTION	DRAWN	APPROVED	TITLE
08/06/04						
DRAWN BY: J.J. SAGAR						
LPG No. INST-600-LPG						
A	B	C	D	E	F	

600 LPG CONTROL INSTRUCTIONS

BEP MARINE LTD.

13 Tarnale Grove
Albany
Auckland 1310 N.Z.
PH 09 415 7261 FAX 09 415 9327
www.bepmarine.com

